



# GLOBAL

BM 9210

---

## Instruction & parts Manual

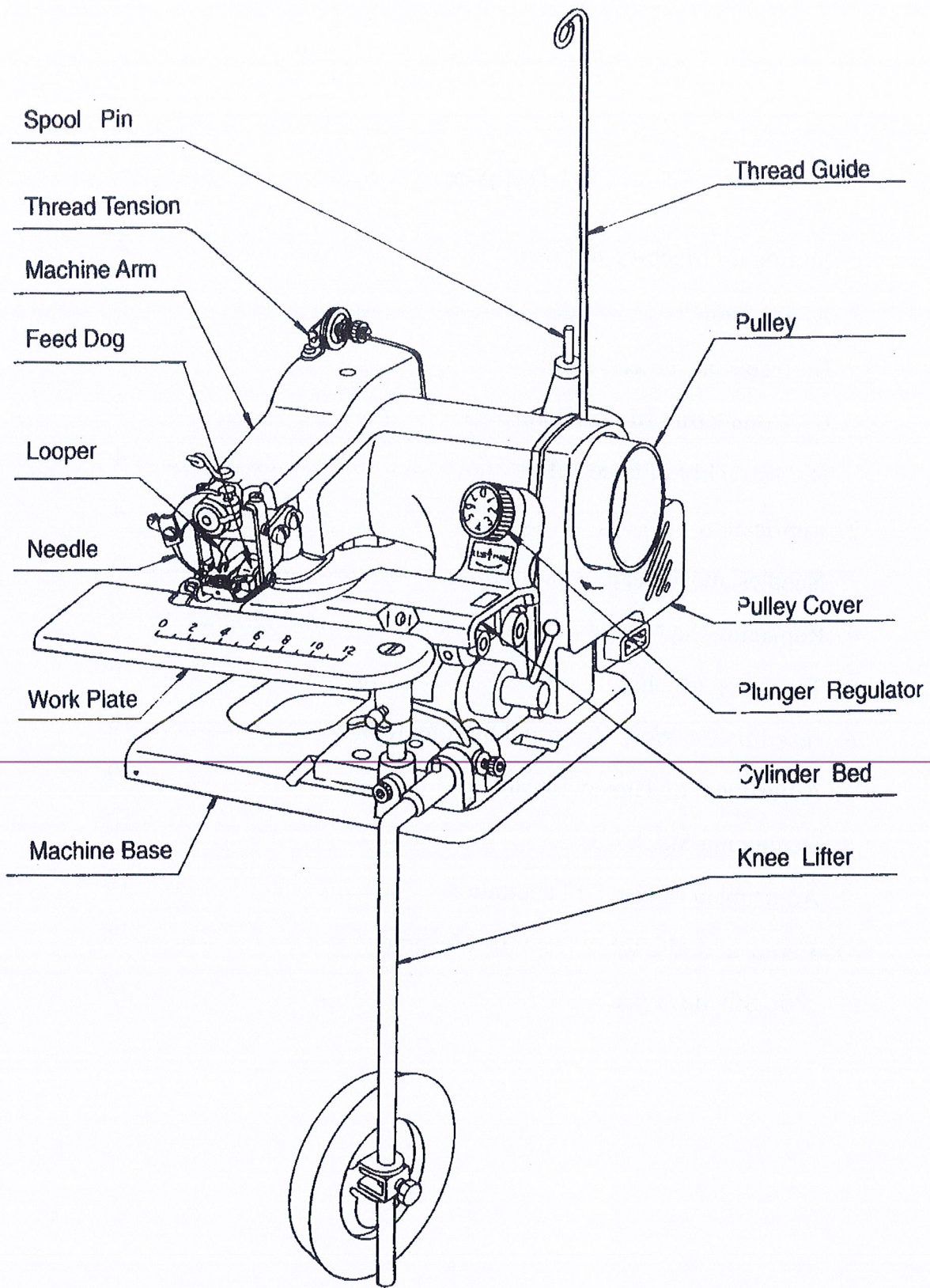
[www.globalsew.com](http://www.globalsew.com)

[info@globalsew.com](mailto:info@globalsew.com)



## INDEX

|   |    |
|---|----|
| 1. Setting up Machine for Work .....                  | 2  |
| A. Location .....                                     | 2  |
| B. Installing Thread Stand .....                      | 2  |
| C. Connecting Motor Controller .....                  | 3  |
| D. Assembly of knee Lifter .....                      | 4  |
| 2. Lubrication .....                                  | 4  |
| 3. Needles and Thread .....                           | 5  |
| 4. Replacing the Needle .....                         | 6  |
| 5. Threading Machine .....                            | 6  |
| 6. Inserting the Work Piece and Starting to Sew ..... | 8  |
| 7. Adjustment of Thread Tension .....                 | 9  |
| 8. Regulating Stitch Length .....                     | 10 |
| 9. Adjustment of Needle Penetration .....             | 10 |
| 10. Removal of the Work from the Machine .....        | 11 |
| 11. Skip Stitch Device .....                          | 12 |



## 1. Setting up Machine for Work

Unpack machine from its shipping box, making certain that you remove from box all component parts and accessories.

### A. Location (Figs. 1-2)

Place machine on a firm table, preferably near its right front corner. Attach machine near edge of table using table clamp which is included with the accessories. Table clamp is inserted into groove in base plate of machine either from front or right side.

The selection of the clamp groove depends on how you desire to place machine on table to suit your own convenience. Make sure machine is clamped tightly to keep it from falling off table. See Figs. 1 and 2 for details of clamping.

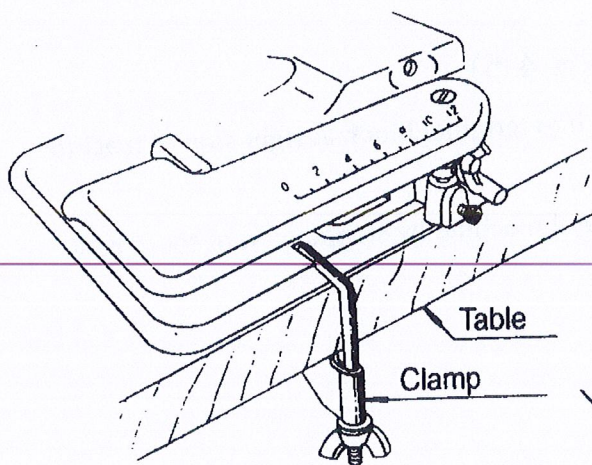


Fig.1

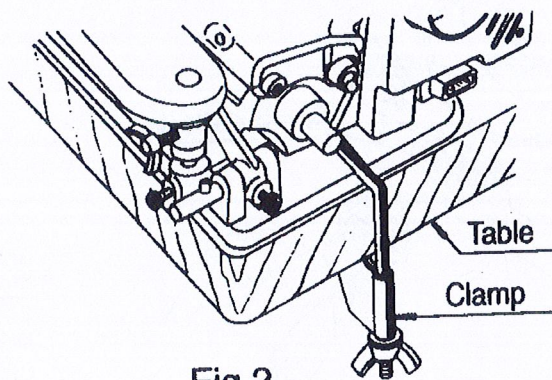


Fig.2

### B. Installing Thread Stand (Fig. 3)

First, loosen thread guide stud set screw (1) and insert thread guide (2) and stud (3) assembly into the hole at rear of machine. Then, tighten set screw (1).

And loosen clamp screw (4), and adjust head (5) of thread guide to face the direction of spool pin (6). Then, tighten clamp screw (4).

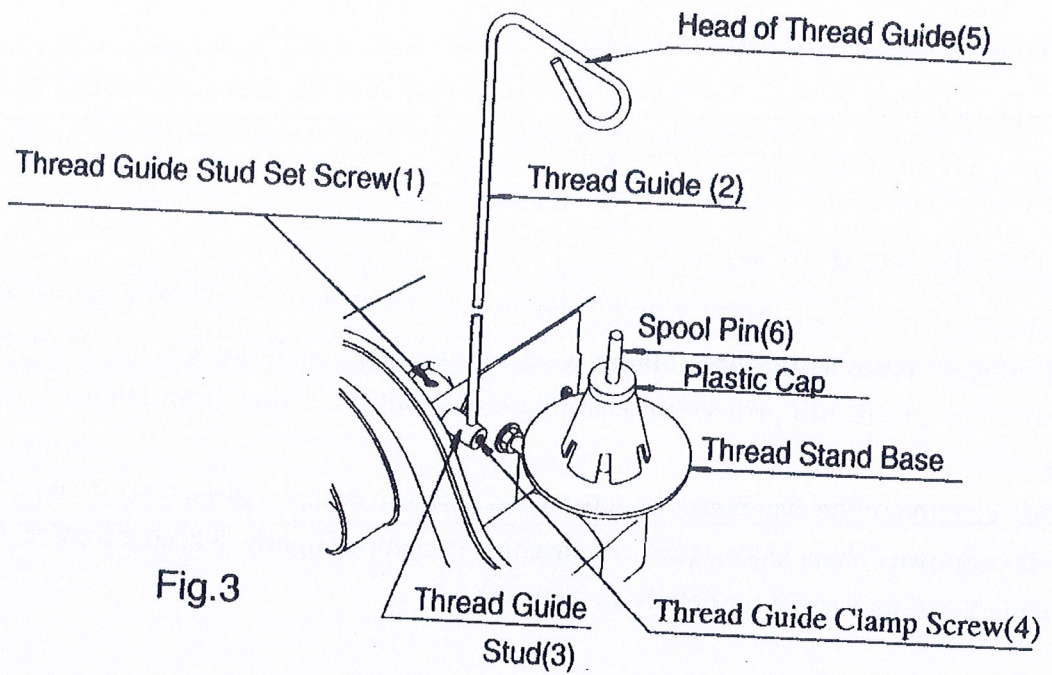


Fig.3

### C. Connection Motor Controller (Figs.4-5)

Insert three-hole plug on controller wiring into terminal block at right side of machine and insert standard plug into wall outlet.

Place controller on floor and regulate speed of machine by stepping on of foot pedal.

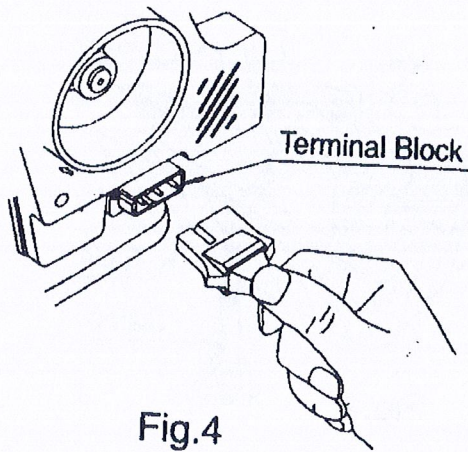


Fig.4

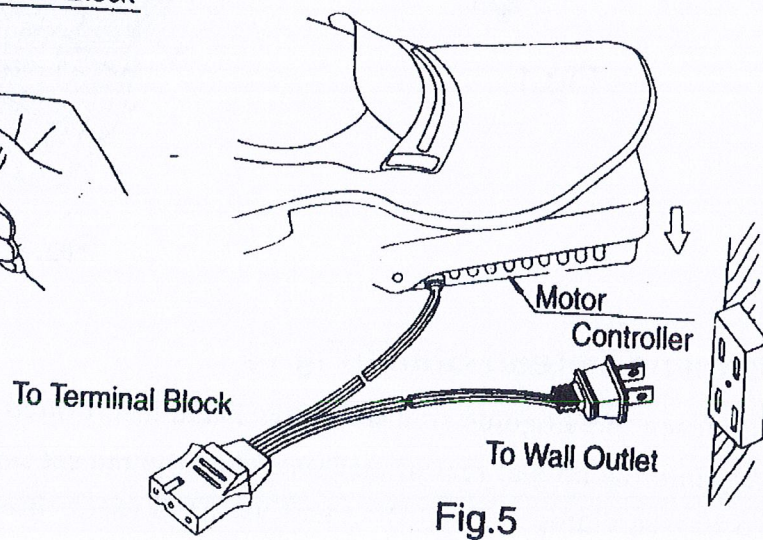
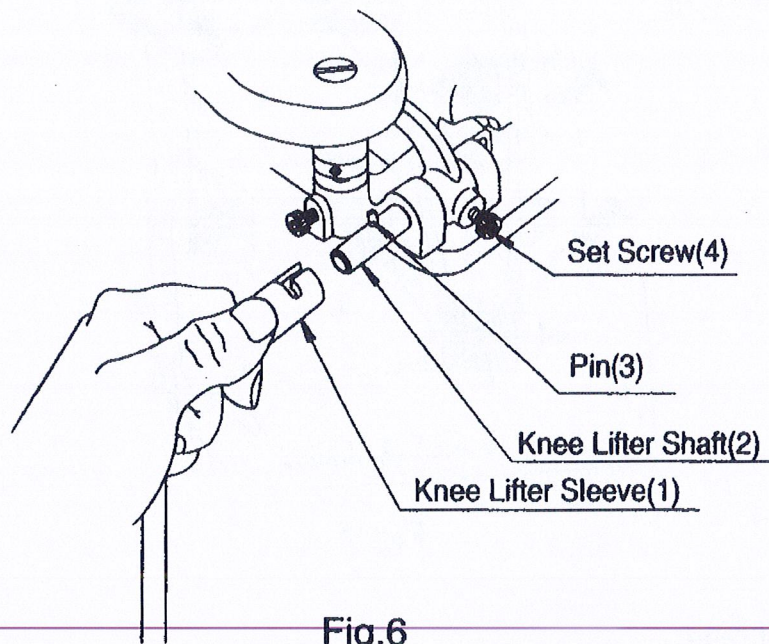


Fig.5

## D.Assembly of Knee Lifter (Fig.6)

Push sleeve(1) onto free end of shaft (2) and allow pin (3) to enter L-shaped groove in sleeve.

In case of adjusting the angle of knee lifter, loosen the set screw (4) and adjust the knee lifter to the suitable angle. Then, tighten the set screw(4).



## 2.Lubrication (Fig.7)

Lubrication is important for the trouble-free operation and long service life of the machine. Therefore, after setting-up machine as per paragraph 1, drop a sewing machine oil into all the holes indicated by arrows on Fig.7, and also drop oil onto the inner moving parts after opening the side cover and rear cover of machine.

Daily and before operating machine, place one or two drops of sewing machine oil into all the oil holes indicated by arrows on Fin.7.

To assure clean operation, it is suggested that oiling be done upon completion of the work. This will allow excess oil to drip off and only the needed quantity will remain. Be certain to wipe off machine all excess oil before starting to work. Also before sewing, operate machine for about a minute or so with the knee lifter depressed to eliminate all excess lubricant.

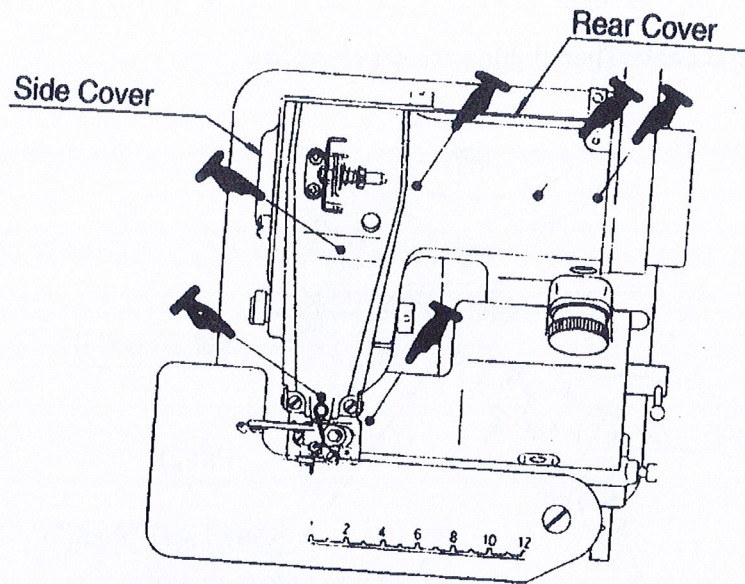


Fig.7

### 3. Needles and Thread

The recommended needle is system LW x 6T (or style 29-43) Blindstitch Machine Needle. Size range from No.3 to 4.

To assure satisfactory operation needles, thread and fabric must be matched as suggested in the table below:

| NEEDLE         | THREAD    | MATERIAL                                      |
|----------------|-----------|---|
| size 3 (11)    | No.80-100 | Nylon slik and other light weight fabrics     |
| size 3 1/2(14) | No.60-70  | Cotton,woolen,and other medium weight fabrics |
| size 4 (16)    | No.50-60  | Thick woolen and other thick weight fabrics   |



#### 4. Replacing the Needle (Fig.8)

Turn handwheel away from you (clockwise direction) until needle reaches to the end of its return stroke. Remove needle to be replaced by loosening needle clamp screw (1) about two turns.

Insert new needle into its seat on needle carrier (2) pushing it as far to the left as it will go. Now, tighten needle clamp screw (1).

Note : Fig.8 shows needle carrier and its part in a disassembled view.

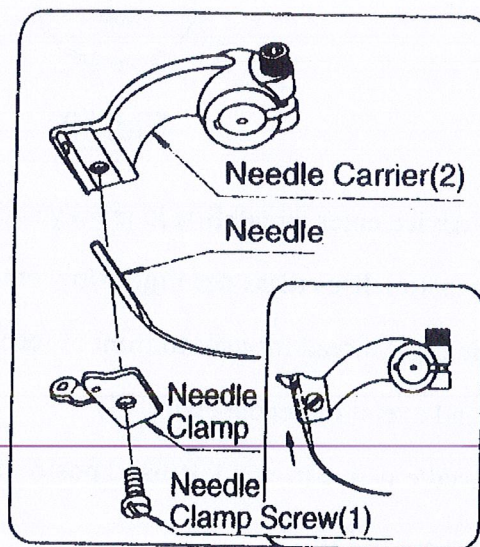


Fig.8

#### 5. Threading Machine (Figs.9-12)

A. When using sewing thread from a cone, place it over plastic cup on thread stand (Fig.9)

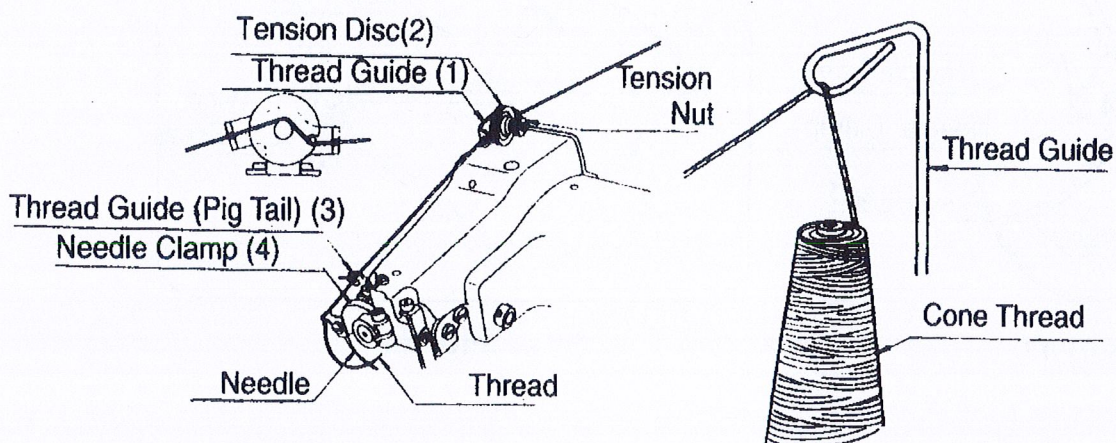
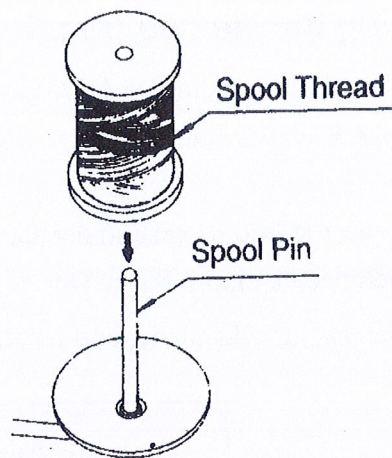


Fig.9

B. When using spool thread, remove plastic cup before placing spool on thread stand (Fin.10).



C. For correct threading of machine, follow carefully course of thread as shown on Fig.9.

Fig.10

When reaching to thread tension device, enter thread first in rear eye of thread guide (1). Then, lead thread between the two tension discs (2) as per Fig.9. Now enter it from behind through the front eye of thread guide. Lead thread forward to front of machine. Enter thread from above into thread guide (3), and eyelet of needle clamp (4).

As this point, make certain that needle is in extreme left-hand position. Now pull thread through needle eye from below as shown in Fig.11.

It is easier to pull thread through needle eye when work plate is opened by loosening the clamp screw (Fig.12).

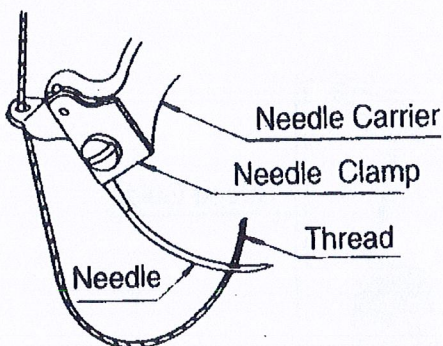


Fig.11

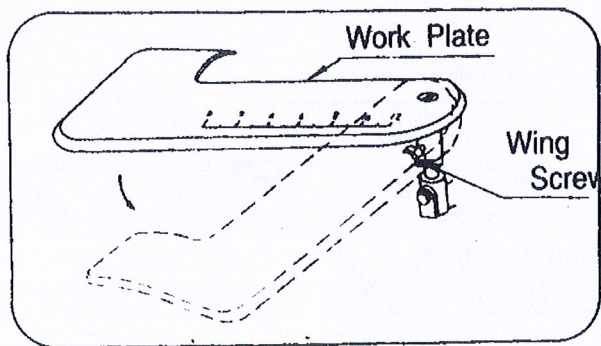


Fig.12

## 6. Inserting the work Piece and Starting to Sew (Figs.13-14)

Depress knee lifter. This causes the cylinder bed of the machine to swing downward and creates a gap between the presser foot and the cylinder bed. Insert the work in the gap just opened in such a manner that the folded or sewn edge of the article is alongside the edge guide of the presser foot.

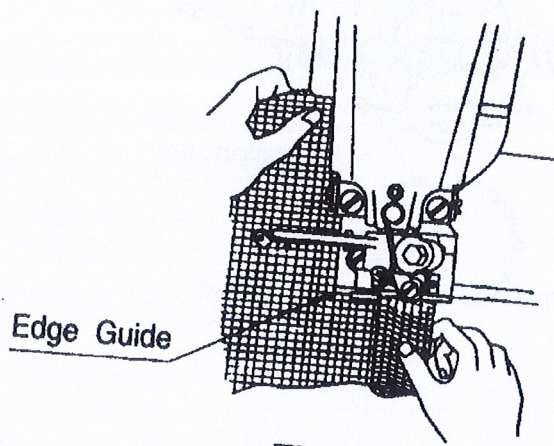


Fig.13

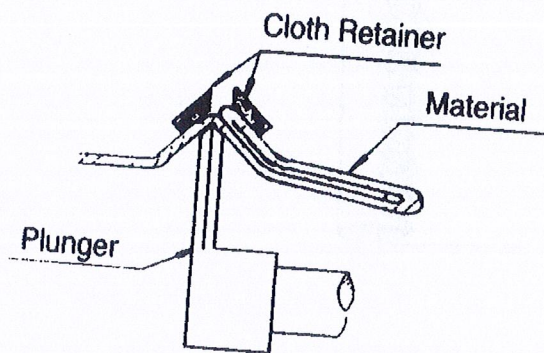


Fig.14-1

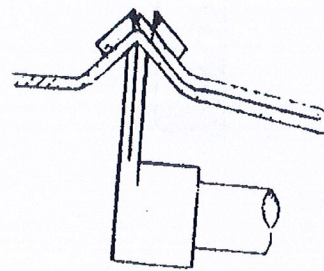


Fig.14-2

When the article is in proper position, completely release the knee lifter. Get the machine started slowly and watch the material pass edge guide rather than to observe the action of the needle.

In case of sewing double folded edge of material, insert the material as per Fig.14-1. In case of sewing single folded, insert the material as per Fig.14-2

## 7. Adjustment of Thread Tension (Figs.15-16)

Different kinds and weights of material and the various sizes of thread require respective thread tensions. Thread tension is regulated by turning the tension nut located at the top of the machine arm.

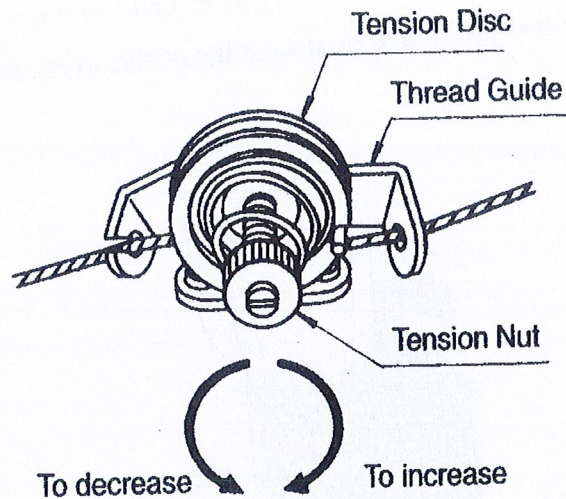


Fig.16

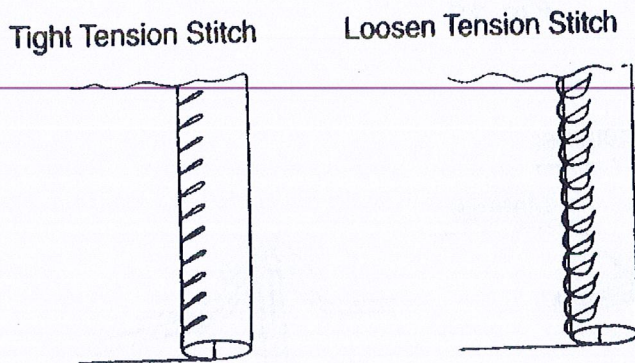


Fig.15

To increase thread tension, turn the nut away from you (clock wise).  
To decrease the tension, turn the nut towards you (counter-clockwise).  
Do not turn, tighten, or loosen tension more than about one quarter turn at one time.  
Test for results and readjust, if necessary.

## 8. Regulating Stitch Length (Fig.17)

Open side cover by loosening two clamp screws. Loosen two set screw (1) in stitch regulating collar (2), and turn collar (2) until desired number is reached by indicator groove (3) of eccentric. Then, tighten screws (1) securely.

When delivered from our factory, the number for stitch length of the machine is set to be at "6".

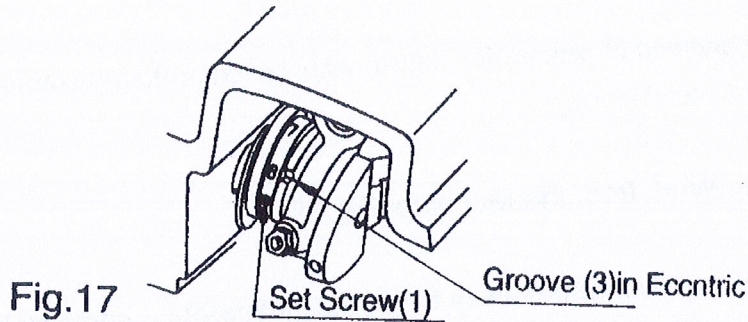


Fig.17

Each number shows the following stitch length.

|                    |   |   |   |   |   |
|--------------------|---|---|---|---|---|
| Number on collar   | 4 | 5 | 6 | 7 | 8 |
| Stitch length(M/M) | 4 | 5 | 6 | 7 | 8 |

To have best choice of stitch length, recommend to have a few trial stitching on different kind materials.

## 9. Adjustment of Needle Penetration (Fig.18)

The depth of needle penetration into the cloth can be adjusted by turning the plunger regulator located on front of the machine.

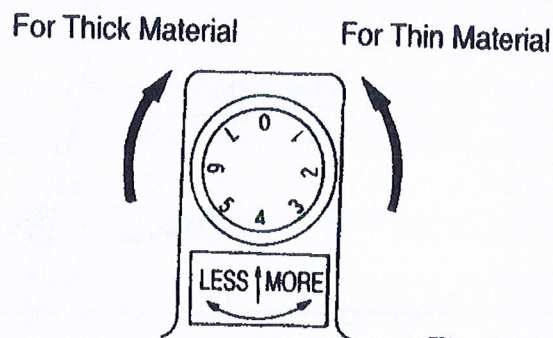


Fig.18

To increase needle penetration for light materials, turn the regulator counter-clockwise. The greater the number directly in front on the regulator dial, the deeper the penetration of the needle. To lessen the penetration for thick materials, turn regulator clockwise.

To prevent damage to the needle and the machine, it is recommended to begin sewing with the least degree of penetration, and to sew a short length of seam. Check for catching of the material and appearance, making whatever penetration adjustments are required until stitching is as desired.

NOTE: Beginning and end of penetration adjustments are controlled by built-in stops. Do not force beyond its stops.

#### 10. Removal of the Work from the Machine (Fig. 19)

Stop machine and turn handwheel away from you until needle is completely out of the material (at highest position). Press knee lifter to the right and pull the work piece rearward out of the machine with a quick stroke. This will lock the last stitch and break the thread.

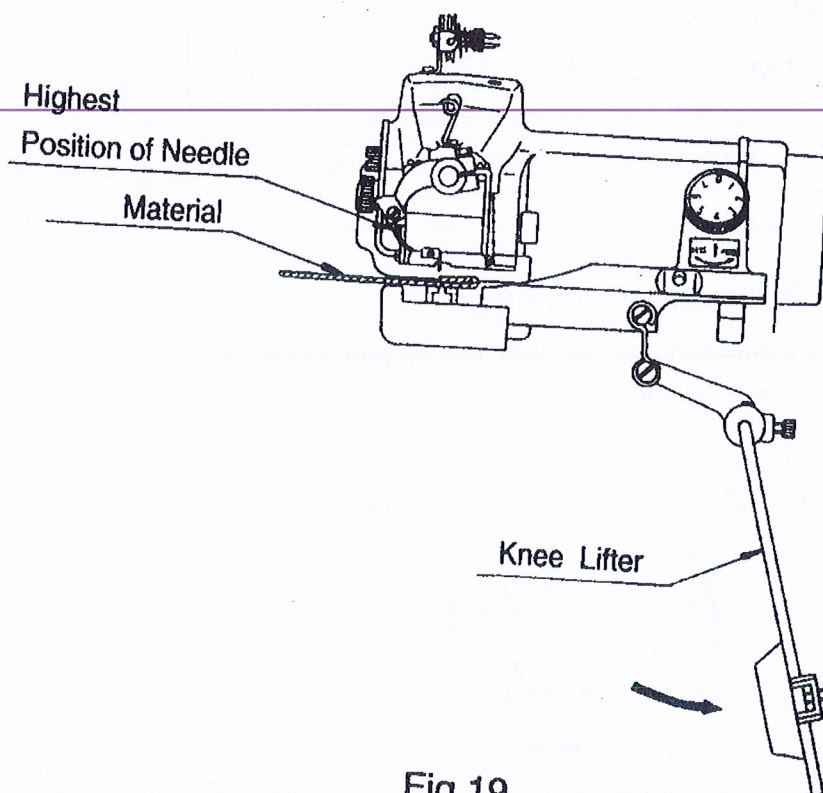
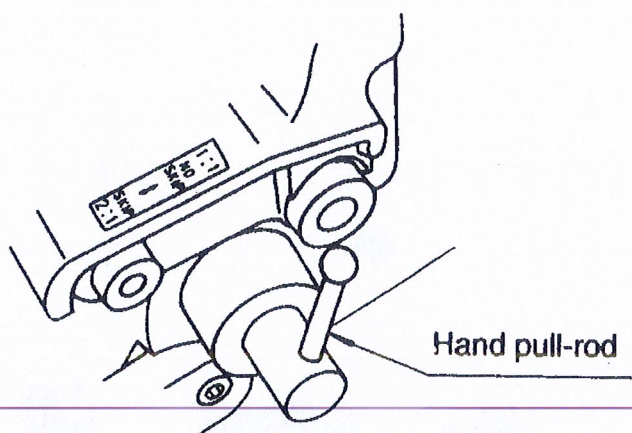


Fig. 19

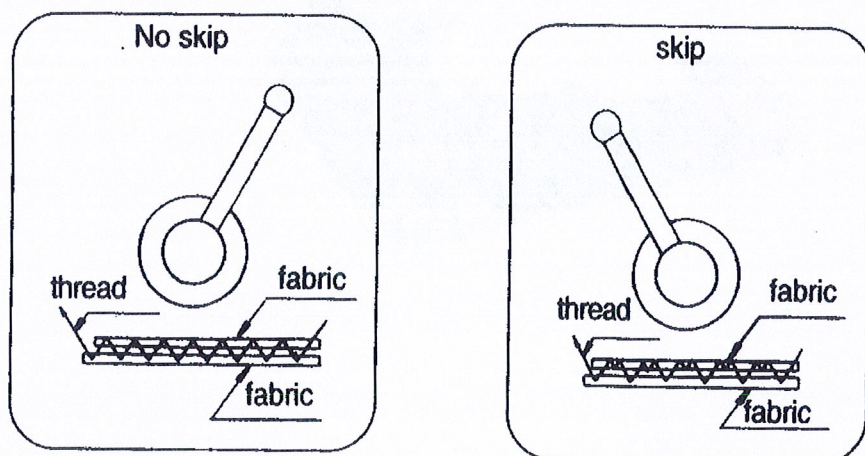
## 11. Skip-stitching device (Sketch20-21)

Hand pull-rod which controls skip-stitching device is at the right side of machine. When pull-rod points to "No Skip" position, fabric shall be sewed every stitch. When pull-rod points to "Skip" position, fabric shall be sewed every other stitch.

In order to guarantee machine to run as per requirement, please don't pull the rod to another direction before the machine stops. If the pull-rod is kept in the middle position, the machine will run unsteadily. Meanwhile, if necessary, penetration of needle should be checked and adjusted again every time when a conversion between "Skip" and "No Skip" is made.

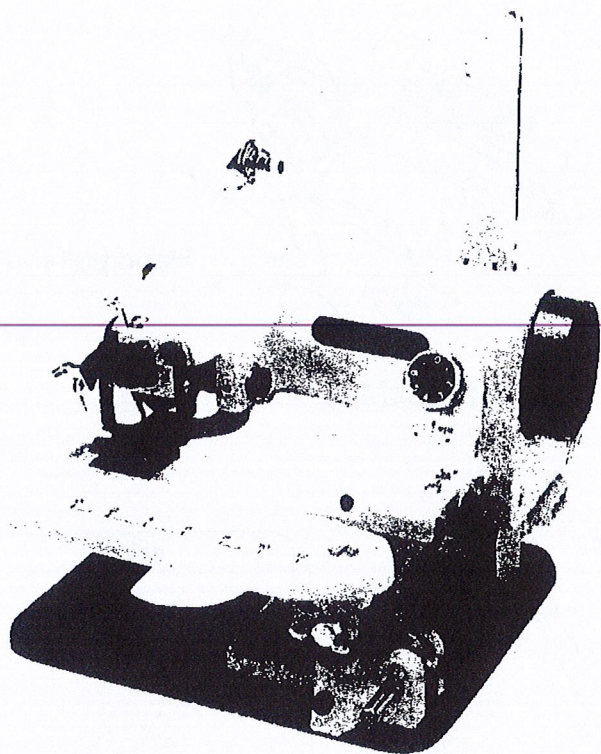


(Sketch20)

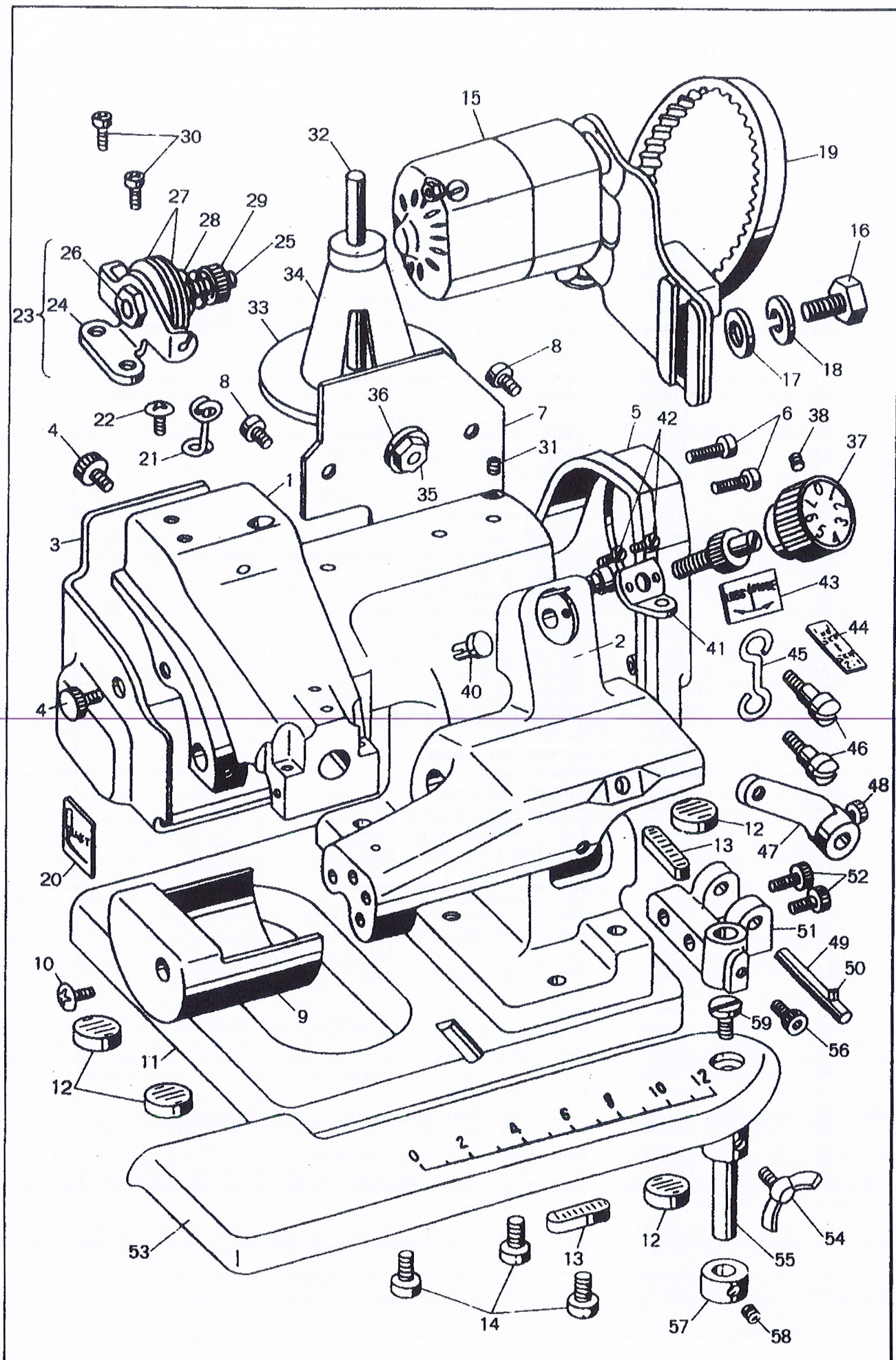


(Sketch21)

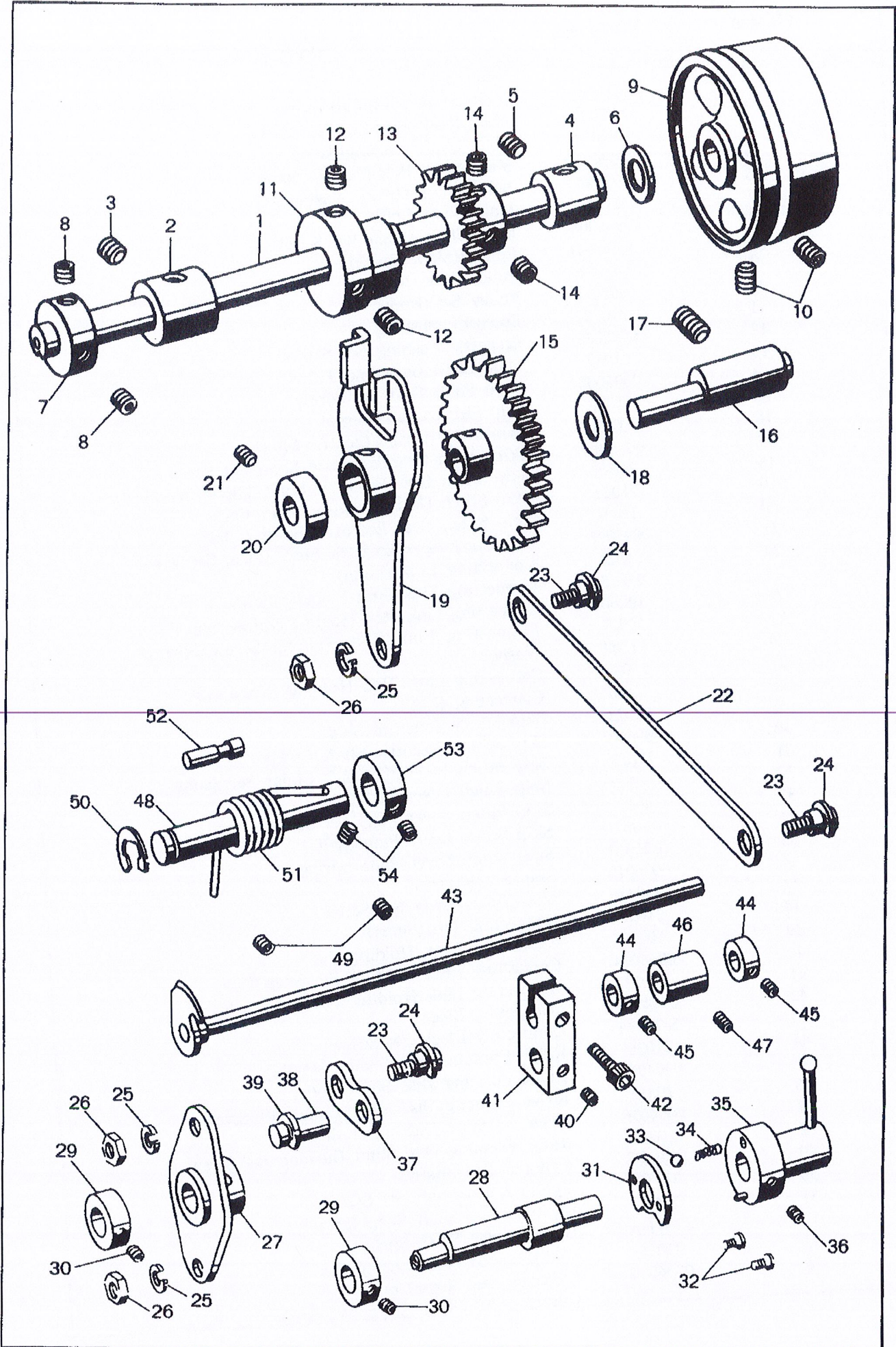
# PARTS BOOK



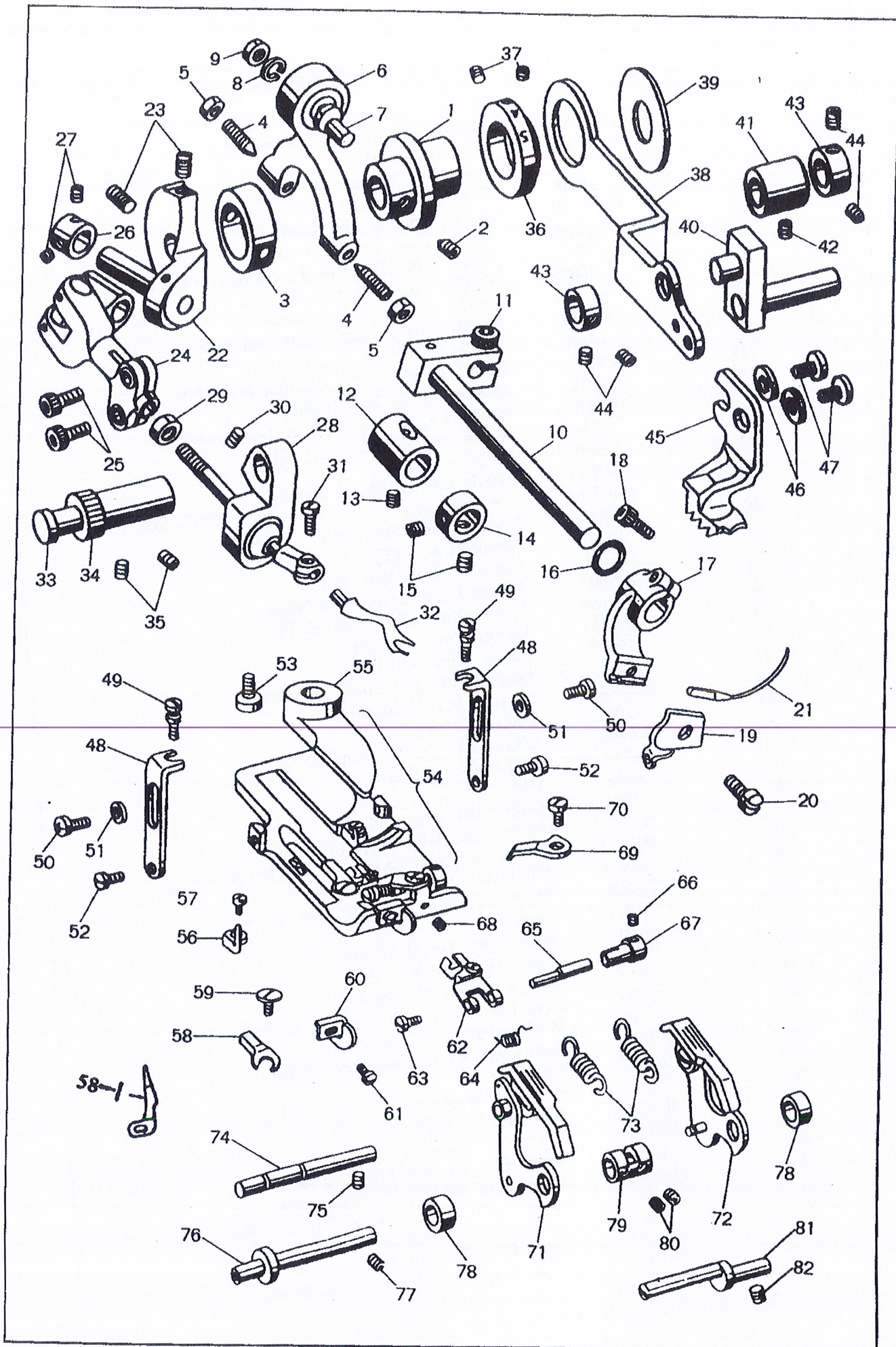




| Ref.Nos. | Parts No. | Description                                   |
|----------|-----------|---|
| 1        | 21001     | Machine Frame                                 |
| 2        | 21002     | Cylinder Bed                                  |
| 3        | 21003     | Arm Side Cover                                |
| 4        | 21004     | Arm Side cover Clamp Screw                    |
| 5        | 21005     | Pulley Cover                                  |
| 6        | 0144016   | Pulley Cover Set Screw                        |
| 7        | 21006     | Arm Rear Cover                                |
| 8        | 0144008   | Arm Rear Cover Set Screw                      |
| 9        | 21007     | End Cover                                     |
| 10       | 0174008   | End Cover Set Screw                           |
| 11       | S-21008-G | Machine Base with Rubber Cushion (Moss-Green) |
| 11       | S-21008-R | Machine Base with Rubber Cushion (Wine-Red)   |
| 12       | 21009     | Rubber Cushion (A)                            |
| 13       | 21010     | Rubber Cushion (B)                            |
| 14       | 0186016   | Machine Base Clamp Screw                      |
| 15       | 10109-A   | Motor   |
| 16       | B-005     | Motor Bracket Set Screw                       |
| 17       | B-006     | Motor Bracket Spring Washer                   |
| 18       | B-007     | Motor Bracket Spring Washer                   |
| 19       | 21101     | Motor Belt                                    |
| 20       | 10131     | Needle System Label(LW × 6T)                  |
| 21       | 4135      | Thread Guide (Pig Tail)                       |
| 22       | 0144008   | Thread Guide Set Screw                        |
| 23       | S-21095   | Thread Tension Assembly (Ref.Nos.24-29)       |
| 24       | 21095     | Thread Tension Bracket                        |
| 25       | 21096     | Thread Tension Post                           |
| 26       | 4070      | Thread Tension Post Nut                       |
| 27       | 5190-A    | Thread Tension Disc                           |
| 28       | 79-B      | Thread Tension Spring                         |
| 29       | 83        | Thread Tension Nut                            |
| 30       | 0144008   | Thread Tension Bracket Set Screw              |
| 31       | 0046006   | Thread Guide Stud Set Screw                   |
| 32       | 21093     | Thread Stand                                  |
| 33       | 21094     | Thread Stand Base                             |
| 34       | AC-101    | Plastic Cap                                   |
| 35       | 11145     | Thread Stand Nut                              |
| 36       | 10543     | Thread Stand Washer                           |
| 37       | S-10513-G | Disc Regulator (Moss-Green)                   |
| 37       | S-10513-R | Disc Regulator (Wine-Red)                     |
| 38       | 6074      | Disc Regulator Set Screw                      |
| 39       | 10514     | Disc Regulating Dial Screw                    |
| 40       | 10516     | Disc Regulating Dial Screw Prop               |
| 41       | 10515-A   | Disc Regulating Plate Spring                  |
| 42       | 8339      | Disc Retgulating Plate Spring Set Screw       |
| 43       | 21068     | Disc Retgulating Indicating Label             |
| 44       | 21037     | Skip Stitch Label                             |
| 45       | 10076-A   | Cylinder Bed Connecting Hook                  |
| 46       | 21085     | Cylinder Bed Connecting Hook Screw            |
| 47       | 21083     | Knee Lifter Crank                             |
| 48       | 0216016   | Knee Lifter Crank Set Screw                   |
| 49       | 21084     | Knee Lifter Shaft                             |
| 50       | 10074     | Knee Lifter Shaft Spring Pin                  |
| 51       | 21082     | Work Plate Bracket                            |
| 52       | 0216016   | Work Plate Bracket Set Screw                  |
| 53       | 21081     | Work Plate                                    |
| 54       | 10085     | Work Plate Wing Screw                         |
| 55       | 10082     | Work Plate Shaft                              |
| 56       | 0216012   | Work Plate shaft Set Screw                    |
| 57       | 21023     | Work Plate Shaft Collar                       |
| 58       | 0096006   | Work Plate Shaft Collar Set Screw             |
| 59       | 10083     | Work Plate Screwed Cap                        |

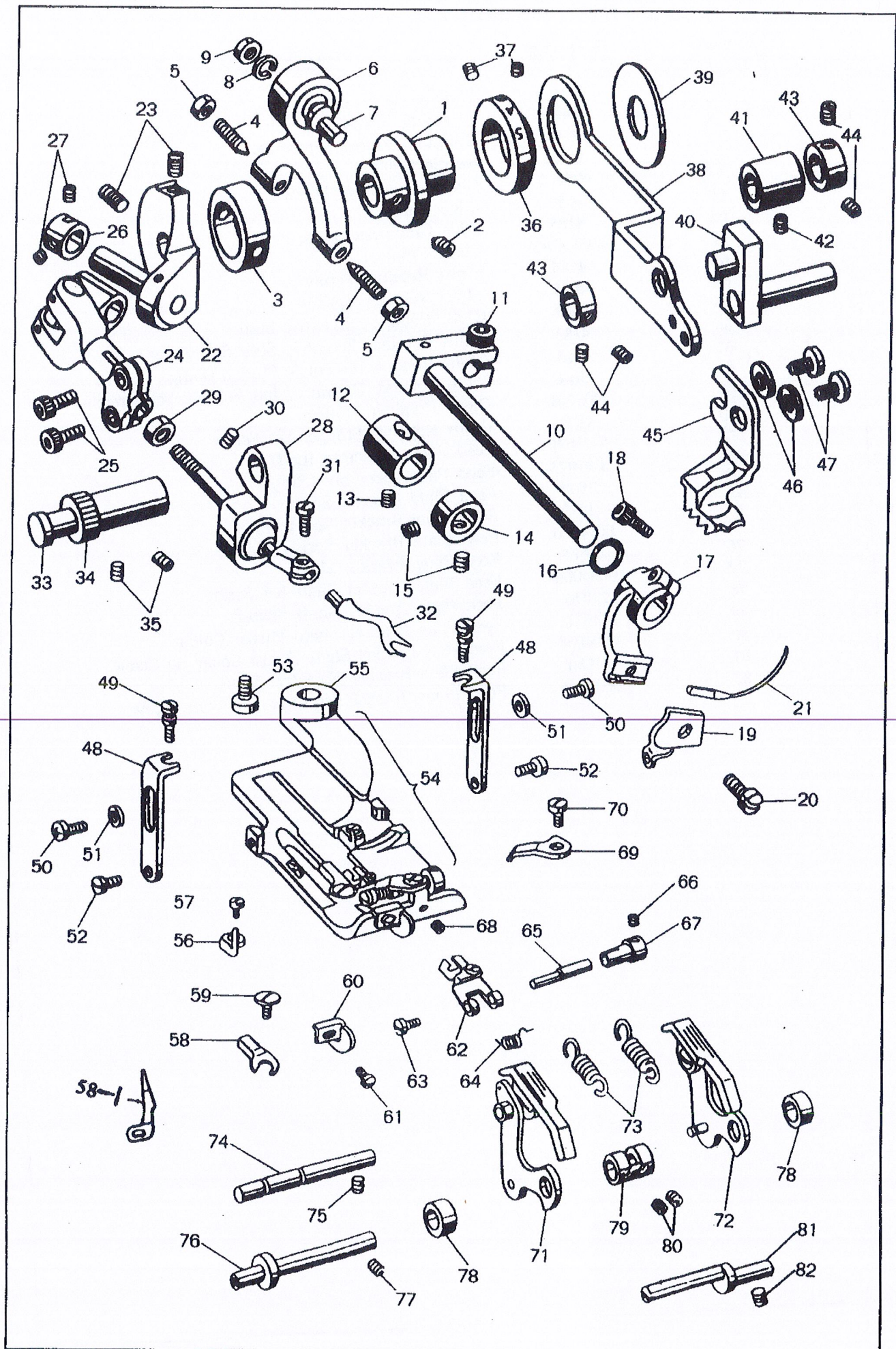


| Ref.Nos. | Parts No. | Description                                       |
|----------|-----------|---|
| 1        | 21012     | Main Shaft  |
| 2        | 21013     | Main Shaft Bushing(Front)                         |
| 3        | 0096010   | Main Shaft Bushing Set Screw                      |
| 4        | 21014     | Main Shaft Bushing(Rear)                          |
| 5        | 0096010   | Main Shaft Bushing Set Screw                      |
| 6        | 21015     | Main Shaft Thrust Washer                          |
| 7        | 21016     | Main Shaft Collar                                 |
| 8        | 0096006   | Main Shaft Collar Set Screw                       |
| 9        | 21017-G   | Pulley (Moss-Green)                               |
| 9        | 21017-R   | Pulley(Wine-Red)                                  |
| 10       | 0096014   | Pulley Set Screw                                  |
| 11       | 21018     | Eccentric Bushing                                 |
| 12       | 0096008   | Eccentric Bushing Set Screw                       |
| 13       | 21019     | Main Shaft Gear(Small)                            |
| 14       | 0096006   | Main Shaft Gear Set Screw                         |
| 15       | 21020     | Skip Stitch Gear (Large)                          |
| 16       | 21021     | Skip Stitch Gear Eccentric Shaft                  |
| 17       | 0096010   | Skip Stitch Gear Eccentric Shaft Set Screw        |
| 18       | 21015     | Skip Stitch Gear Eccentric Shaft Thrust Washer    |
| 19       | 21022     | Skip Stitch Gear Eccentric Shaft Fork             |
| 20       | 21023     | Skip Stitch Gear Eccentric Shaft Collar           |
| 21       | 0095006   | Skip Stitch Gear Eccentric Shaft Collar Set Screw |
| 22       | 21024     | Connecting Link (Long)                            |
| 23       | 21025     | Connecting Link/Rod Holding Screw                 |
| 24       | 10060     | Connecting Link/Rod Holding Screw Snap Ring       |
| 25       | 10627     | Connecting Link/Rod Holding Screw Spring          |
| 26       | 17202     | Washer  |
| 27       | 21026     | Connecting Link/Rod Holding Screw Nut             |
| 28       | 21027     | Connecting Rod                                    |
| 29       | 21023     | Skip Stitch Eccentric Shaft                       |
| 30       | 0096006   | Skip Stitch Eccentric Shaft Collar                |
| 31       | 21028     | Skip Stitch Eccentric Shaft Collar Set Screw      |
| 32       | 0124008   | Skip Stitch Lever Plate                           |
| 33       | 4010      | Skip Stitch Lever Plate Set Screw                 |
| 34       | 10052     | Skip Stitch Lever Plate Ball                      |
| 35       | S-21029   | Skip Stitch Lever Plate Spring                    |
| 36       | 0096010   | Skip Stitch Lever                                 |
| 37       | 21031     | Skip Stitch Lever Set Screw                       |
| 38       | 21032     | Connecting Lin (Short)                            |
| 39       | 10060     | Connecting Link Holding Pin                       |
| 40       | 0094004   | Connecting Link Holding Pin Snap Ring             |
| 41       | 21033     | Connecting Link Holding Pin Set Screw             |
| 42       | 0214012   | Connecting Block                                  |
| 43       | S-21034   | Connecting Block Set Screw                        |
| 44       | 21036     | Ridge Forming Disc Shaft Assembly                 |
| 45       | 0094004   | Ridge Forming Disc Shaft Collar                   |
| 46       | 10517     | Ridge Forming Disc Shaft Collar Set Screw         |
| 47       | 0094006   | Ridge Forming Disc Shaft Bushing                  |
| 48       | 21069     | Ridge Forming Disc Shaft Bushing Set Screw        |
| 49       | 0096006   | Cylinder Bed Shaft                                |
| 50       | 19117     | Cylinder Bed Shaft Set Screw                      |
| 51       | 21070     | Cylinder Bed Shaft Snap Ring                      |
| 52       | 21071-A   | Cylinder Bed Shaft Spring                         |
| 53       | 21016     | Cylinder Bed Shaft Spring Pin                     |
| 54       | 0096006   | Cylinder Bed Shaft Collar                         |
|          |           | Cylinder Bed Shaft Collar Set Screw               |



| Ref.Nos. | Parts No. | Description                                  |
|----------|-----------|--|
| 1        | 21038     | Eccentric Bushing                            |
| 2        | 0085010   | Eccentric Bushing Set Screw                  |
| 3        | 21046     | Needle Yoke Ring                             |
| 4        | 21047     | Needle Yoke Center Screw                     |
| 5        | 21048     | Needle Yoke Center Screw Nut                 |
| 6        | S-21049-A | Needle Yoke & Ball Joint                     |
| 7        | 21052-B   | Needle Yoke Eccentric Pin                    |
| 8        | 8179      | Needle Yoke Eccentric Pin Spring Washer      |
| 9        | C-10022   | Needle Yoke Eccentric Pin Nut                |
| 10       | S-21053   | Needle Carrier Shaft Crank                   |
| 11       | 0214016   | Needle Carrier Shaft Crank Set Screw         |
| 12       | 21055     | Needle Carrier Shaft Bushing                 |
| 13       | 0094006   | Needle Carrier Shaft Bushing Set Screw       |
| 14       | 21016     | Needle Carrier Shaft Collar                  |
| 15       | 0096006   | Needle Carrier Shaft Collar Set Screw        |
| 16       | 19034     | Needle Carrier Shaft "O" Ring                |
| 17       | 21056     | Needle Carrier                               |
| 18       | 0215016   | Needle Carrier Clamp Screw                   |
| 19       | 4025-A    | Needle Clamp                                 |
| 20       | 121       | Needle Clamp Set Screw                       |
| 21       | 4181      | Needle (LW x 6T)                             |
| 22       | S-21057   | Looper Drive Crank & Pin                     |
| 23       | 0096014   | Looper Drive Crank Set Screw                 |
| 24       | S-21059   | Looper Yoke With Joint & Pin                 |
| 25       | 0214012   | Looper Yoke Set Screw                        |
| 26       | 17037     | Looper Yoke Pin Collar                       |
| 27       | 17146     | Looper Yoke Pin Collar Set Screw             |
| 28       | S-21062-A | Looper Carrier Assembly                      |
| 29       | 21048     | Looper Carrier Nut                           |
| 30       | 0096006   | Looper Ball Joint Clamp Screw                |
| 31       | 4040      | Looper Clamp Screw                           |
| 32       | 4039      | Looper                                       |
| 33       | 21064     | Looper Ball Joint Pin                        |
| 34       | 21065     | Looper Ball Joint Eccentric Sleeve           |
| 35       | 0046008   | Looper Ball Joint Eccentric Sleeve Set Screw |
| 36       | 21039-A   | Stitch Regulating Eccentric                  |
| 37       | 0094006   | Stitch Regulating Eccentric Set Screw        |
| 38       | 21040     | Feed Lever                                   |
| 39       | 21041     | Feed Lever Thrust Washer                     |
| 40       | S-21042-A | Feed Lever Crank                             |
| 41       | 10517     | Feed Lever Crank Bushing                     |
| 42       | 0094006   | Feed Lever Crank Bushing Set Screw           |
| 43       | 21045     | Feed Lever Crank Collar                      |
| 44       | 0094004   | Feed Lever Crank Collar Set Screw            |
| 45       | 4047-C    | Feed Dog                                     |
| 46       | 2528      | Feed Dog Washer                              |
| 47       | 4048-A    | Feed Dog Set Screw                           |
| 48       | 4061-A    | Presser Foot Bracket                         |
| 49       | 21066     | Presser Foot Bracket Adjusting Screw         |
| 50       | 0144008   | Presser Foot Bracket Holding Screw           |
| 51       | 11158     | Presser Foot Bracket Holding Screw Washer    |
| 52       | 4186      | Presser Foot Holding Screw                   |
| 53       | 21067     | Presser Foot Clamp Screw                     |
| 54       | PF100     | Presser Foot Assembly (Ref.Nos.54-69)        |

} For Needle System LW x 6T



| Ref.Nos. | Parts No. | Description                                      |
|----------|-----------|--|
| 55       | 4049-B    | Plain Presser Foot                               |
| 56       | 4048-A    | Chaining Finger                                  |
| 57       | 4185      | Chaining Finger Set Screw                        |
| 58       | 11563     | Needle Guide                                     |
| 59       | 4052-A    | Needle Guide Set Screw                           |
| 60       | 4059      | Edge Guide                                       |
| 61       | 4185      | Edge Guide Set Screw                             |
| 62       | 4055-CAS  | Cloth Retainer                                   |
| 63       | 4185      | Cloth Retainer Screw                             |
| 64       | 4056      | Cloth Retainer Spring                            |
| 65       | 4054      | Cloth Retainer Eccentric Stud                    |
| 66       | 4183      | Cloth Retainer Eccentric Stud Set Screw          |
| 67       | 4053      | Cloth Retainer Eccentric Stud Bushing            |
| 68       | 130-B     | Cloth Retainer Eccentric Stud Bushing Set Screw  |
| 69       | 4057-B    | Cloth Retainer Stopper                           |
| 70       | 4182      | Cloth Retainer Stopper Set Screw                 |
| 71       | S-21072   | Feed Plate Assembly (Left)                       |
| 72       | S-21073   | Feed Plate Assembly (Right)                      |
| 73       | 21078     | Feed Plate Bracket Spring                        |
| 74       | 21079     | Feed Plate Bracket Spring Pin                    |
| 75       | 0094006   | Feed Plate Bracket Spring Pin Set Screw          |
| 76       | 21075     | Feed Plate Bracket Shaft                         |
| 77       | 0094006   | Feed Plate Bracket Shaft Set Screw               |
| 78       | 21076     | Feed Plate Bracket Shaft Spacer                  |
| 79       | 21077     | Feed Plate Bracket Shaft Thrust Collar           |
| 80       | 0094004   | Feed Plate Bracket Shaft Thrust Collar Set Screw |
| 81       | 21080     | Feed Plate Bracket Eccentric Shaft               |
| 82       | 0094006   | Feed Plate Bracket Eccentric Shaft Set Screw     |





# GLOBAL

## BM 9210

---

### Instruction & parts Manual

[www.globalsew.com](http://www.globalsew.com)

[info@globalsew.com](mailto:info@globalsew.com)





# GLOBAL

## BM 9210

---

### Instruction & parts Manual

[www.globalsew.com](http://www.globalsew.com)

[info@globalsew.com](mailto:info@globalsew.com)

